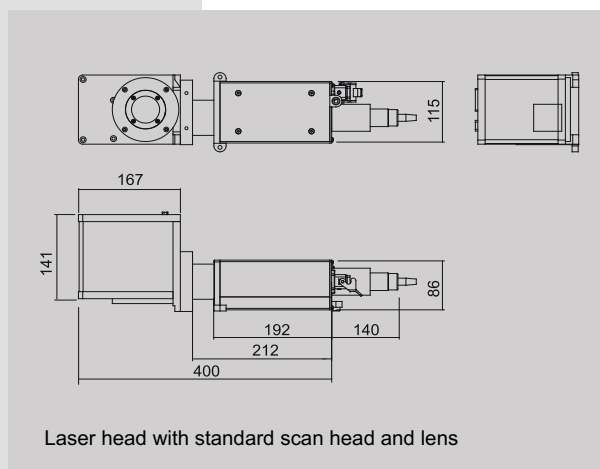
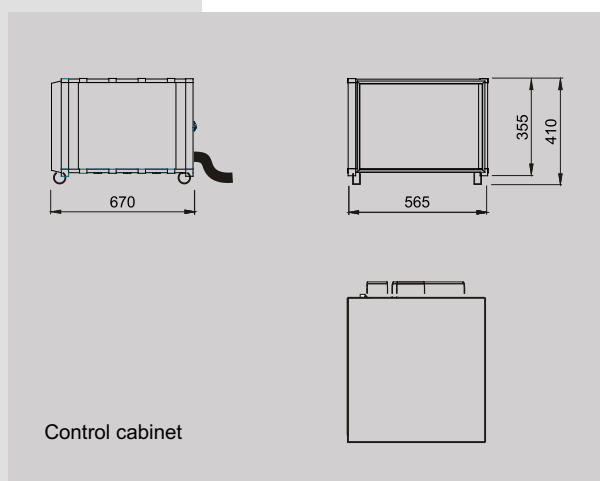


# DP10F/DP20F/DP30F

## Basic systems 9 W/18 W/27W



Laser head with standard scan head and lens



Control cabinet

System	DP10F	DP20F	DP30F
Marking field	110 x 110 mm <sup>2</sup> (f=160 mm)		
Marking speed	up to 5000 mm/s up to 500 characters/s		
Line width	typical 50 µm		
<b>Laser</b>			
Laser type	Pulsed Yb Fiber Laser, 1060 -1070 nm, diode pumped		
Power (QS)	typ. 9 W (20 kHz)	typ. 18 W (20 kHz)	typ. 27 W (30 kHz)
Power stability	+/- 2.5 %		
Pulse frequency	20 - 100 kHz		30 - 100 kHz
Pulse energy	0,45 mJ (20 kHz)	0,90 mJ (20 kHz)	0,90 mJ (30 kHz)
Pulse width	110 ns (20 kHz)		110 ns (30 kHz)
Fiber cable length	4 m	2 m	
<b>Control</b>			
PC	CompactPCI-PC		
Operating system	MS Windows XP		
Laser control	FOBAGRAF with Import functions of plt/dwg/dxf/ai/jpg/tif/pcx/bmp ...		
Interfaces	serial, digital I/O, Ethernet, USB		
<b>Installation</b>			
Electrical	L/N/PE, AC 100 - 138 V, 187 - 240 V, adjustable, 50/60 Hz		
Power consumption	typical 300 W	typical 500 W	typical 600 W
Cooling system	Air		
Temperature (f=duty cycle)	15 - 40 °C (50 % f)	15 - 40 °C (50 % f)	15 - 35 °C (50 % f)
	15 - 40 °C (100 % f)	15 - 35 °C (100 % f)	15 - 32 °C (100 % f)
Humidity	90 % (up to max. 20 °C) 30 % (up to max. 40 °C) non-condensing		
Weight	Laser head approx. 5 kg <sup>1)</sup> OEM-Components approx. 30 kg Control cabinet approx. 45 kg <sup>2)</sup>		
Degree of protection	Laser head IP54 Control cabinet IP43		
Safety	Class IV Laser		
<b>Options</b>			
Pointer	Adjustment aid		
High-speed scan heads			
Changeable lens			

<sup>1)</sup> without F-Theta lens

<sup>2)</sup> with OEM-Components

# FOBA®

Laser Marking + Engraving

FOBA  
Technology + Services GmbH  
Altener Straße 170  
58513 Lüdenscheid  
GERMANY

Tel. +49 23 51 996-0  
Fax +49 23 51 996-234

sales@foba.de  
www.foba.de

# SIGNEA SYSTEME

+27 11 965 0823  
signea@mweb.co.za  
www.signea.co.za

