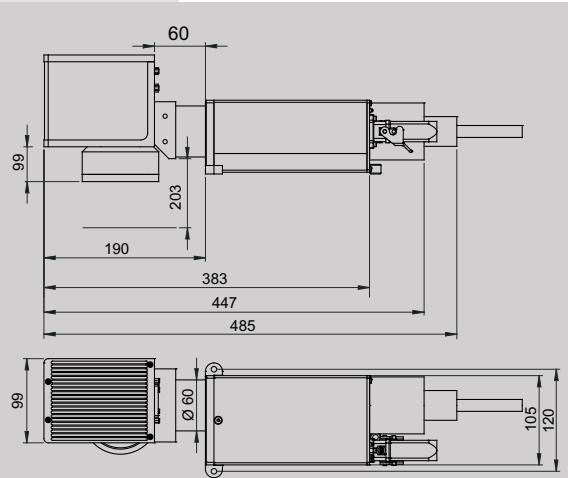
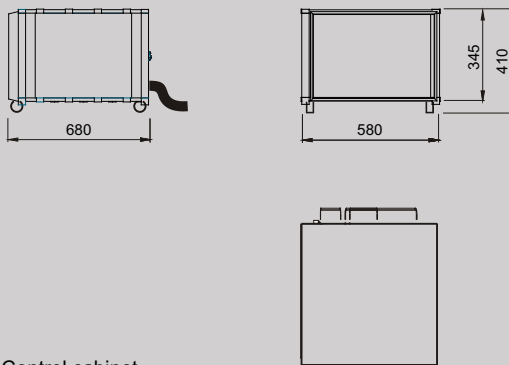


DP50F Basic system 48 W



Laser head with standard scan head and lens



Control cabinet

System

Marking field	110 x 110 mm ² (f=160 mm)
Marking speed	up to 6000 mm/s up to 600 characters/s
Line width	typically 50 µm

Laser

Laser type	Pulsed Yb Fiber Laser, 1060 -1070 nm, diode pumped
Power (QS)	typically 48 W
Power stability	+/- 2.5 % (QS)
Output modes	Pulsed operation (QS, 50 - 100 kHz)
Pulse energy	0.90 mJ (50 kHz)
Pulse width	110 ns (50 kHz)

Control

PC	CompactPCI-PC
Operating system	MS Windows XP
Laser control	FOBAGRAF with Import functions of plt/dwg/dxf/ai/jpg/tif/pcx/bmp ...
Interfaces	serial, digital I/O, Ethernet, USB, Profibus

Installation

Electrical	L/N/PE, AC 100 - 138 V, 187 - 240 V, adjustable, 50/60 Hz
Power consumption	maximal 700 W
Cooling	Air
Temperature (f=duty cycle)	15 - 35 °C (50 % f) 15 - 32 °C (100 % f)
Humidity	90 % (up to max. 20 °C) 40 % (up to max. 35 °C) non-condensing
Weight	Laser head approx. 5 kg ¹⁾ Control cabinet approx. 45 kg
Degree of protection	Laser head IP54 Control cabinet IP43
Safety	Class IV Laser

Options

Pointer	Adjustment aid
High-speed scan head	
Changeable lens	

¹⁾ without F-Theta lens

²⁾ with OEM-Components

FOBA®

Laser Marking + Engraving

A Gerber Technology Company

FOBA
Technology + Services GmbH
Altener Straße 170
58513 Lüdenscheid
GERMANY

Tel. +49 2351 996-0
Fax +49 2351 996-234
sales@foba.de

www.foba.de
www.gerbertechnology.com

FOBA
Technology + Services GmbH
260-J Fordham Road
Wilmington, MA 01887
USA

Tel. +1 781 687 8880
Fax +1 978 988 3782
sales@foba.de

www.fobalaser.com
www.gerbertechnology.com

SIGNEA SYSTEME

+27 11 965 0823
signea@mweb.co.za
www.signea.co.za

