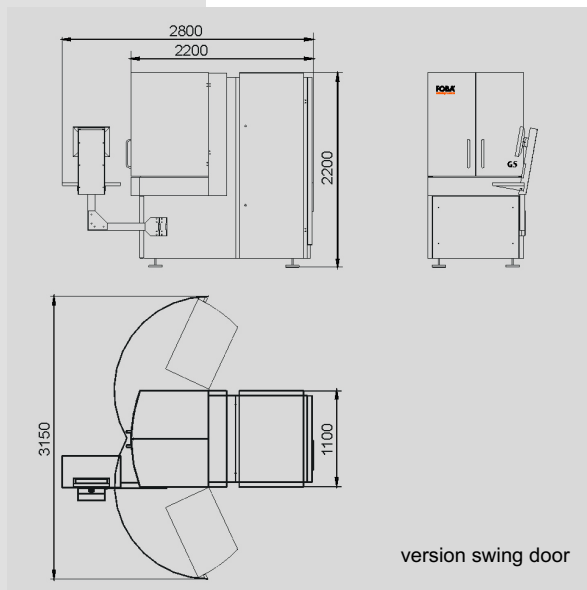
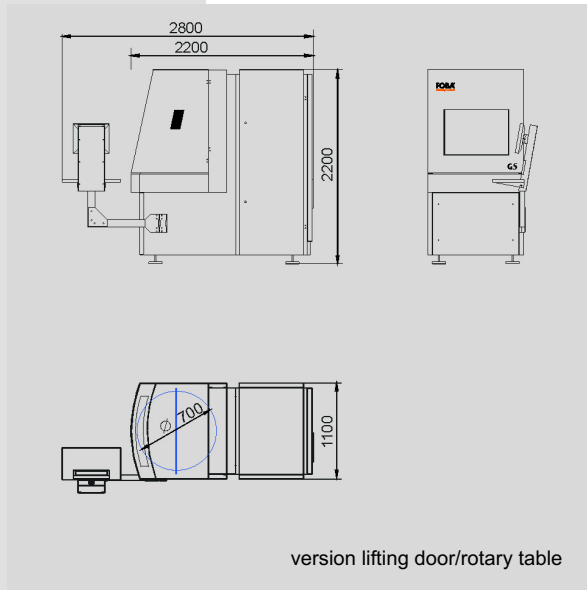


## G5

### Laser engraving machine



#### Machine

Load	Workpieces up to 100 kg <sup>1)2)</sup> 16 kg (8 kg per station) <sup>3)</sup>
Z-axis (focus)	up to 500 mm
Engraving field	120 x 120 mm <sup>2</sup> (f=163 mm)
Jog Dial	Manual operation for all axes

#### Control

AC servo motors	with digital control system
Path control	up to 5 axes
Laser control	FOBAGRAF
Machine control	FobaEMC
Operating system	MS Windows 2000 / XP

#### Laser

Laser type	1064 nm, up to 100 Watt
Output modes	Continuous wave operation (CW) Pulsed operation (QS) 0.5 - 65 kHz Mixed operation (parameterizable)

#### Options

Touch probe	For setting up workpieces
Tactile probe	Depth measurements
Pointer	Adjustment aid
IMP	Vision-based mark positioning
X/Y cross table <sup>1)3)</sup>	Table plate 250 x 250 [mm] Travel 500 x 500 [mm]
Turn-swivel unit <sup>1)3)</sup>	360°, +90° 360°, +90°/-45°
Suction filter	
Water/air cooler	optionally to Water/water cooler

#### Installation

The way the unit is set up depends on the design of the working area and the integrated laser system.

Electrical	3/N/PE, AC 400V, 50/60 Hz
Power consumption	2.8 - 8 kVA <sup>4)</sup>
Temperature	15 - 40 °C
Humidity	90 % (up to max. 20 °C) 30 % (up to max. 40 °C) non-condensing
Weight	Machine approx. 800 kg
Degree of protection	IP 54
Safety	Laser class 1

<sup>1)</sup> version lifting door

<sup>2)</sup> version rotary table

<sup>3)</sup> version swing door

<sup>4)</sup> depends on the basic system

# FOBA®

Laser Marking + Engraving

FOBA  
Technology + Services GmbH  
Altener Straße 170  
58513 Lüdenscheid  
GERMANY

Tel. +49 2351 996-0  
Fax +49 2351 996-234

sales@foba.de  
www.foba.de

# SIGNEA

PTT Ltd

## SYSTEME

+27 11 965 0823  
signea@mweb.co.za  
www.signea.co.za

