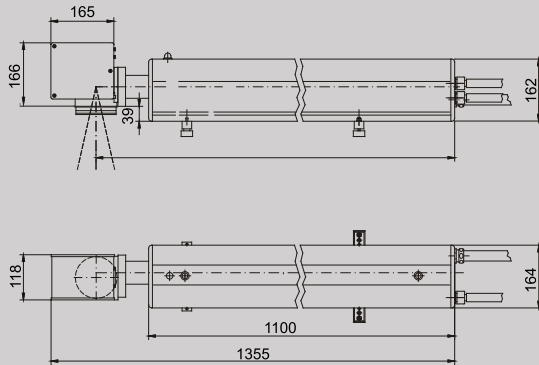
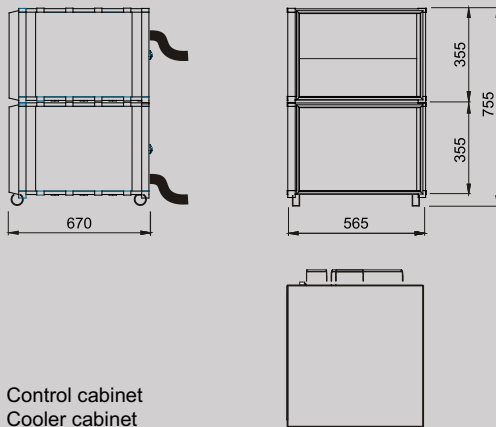


## LP 100

### Basic system 100 W



Laser head with standard scan head and lens



Control cabinet  
Cooler cabinet

#### System

Marking field	110 x 110 mm <sup>2</sup> (f=160 mm)
Marking speed	up to 5000 mm/s up to 500 characters/s
Line width	100 µm (optionally 50 µm)

#### Laser

Laser type	Nd:YAG, 1064 nm, lamp pumped
Power (CW)	typical 100 W
(QS)	typical 40 kW/pulse (10 kHz)
Power stability	+/- 2.5 % (CW)
Output modes	Continuous wave operation (CW) Pulsed operation (QS, 0.5 - 65 kHz) Mixed operation (parameterizable)
Pulse energy	16 mJ (1 kHz)
Pulse width	50 ns (1 kHz)
Aperture	8 different diameters

#### Control

PC	CompactPCI-PC
Operating system	MS Windows XP
Laser control	FOBAGRAF with Import functions of plt, dwg, dxf, ai, jpg, tif, pcx, bmp ...
Interfaces	serial, digital I/O, Ethernet, USB

#### Installation

Electrical	3/N/PE, AC 300 V, ± 10%, 50/60 Hz
Power consumption	typical 6.0 kW
Cooling	Water/water cooler <sup>1)</sup>
Temperature	15 - 40 °C
Humidity	90 % (up to max. 20 °C) 30 % (up to max. 40 °C) non-condensing
Weight	Laser head approx. 34 kg <sup>2)</sup> Control cabinet approx. 60 kg <sup>3)</sup> Cooler cabinet approx. 60 kg <sup>3)</sup>
Degree of protection	Control-/Cooler cabinet IP43 (IP54 <sup>4)</sup> ) Laser head IP54
Safety	Class IV Laser

#### Options

Pointer	Adjustment aid
Scan head	
Changeable lens	100 mm/163 mm/254 mm/420 mm
SHG modul	for frequency doubling

<sup>1)</sup> optionally water/air cooler

<sup>2)</sup> without F-Theta lens

<sup>3)</sup> with OEM-Components

<sup>4)</sup> optionally

# FOBA®

Laser Marking + Engraving

FOBA  
Technology + Services GmbH  
Altener Straße 170  
58513 Lüdenscheid  
GERMANY

Tel. +49 2351 996-0  
Fax +49 2351 996-234

sales@foba.de  
www.foba.de

# SIGNEA

SYSTEME

+27 11 965 0823  
signea@mweb.co.za  
www.signea.co.za

