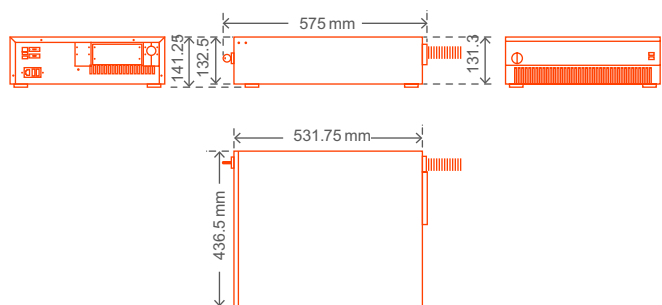
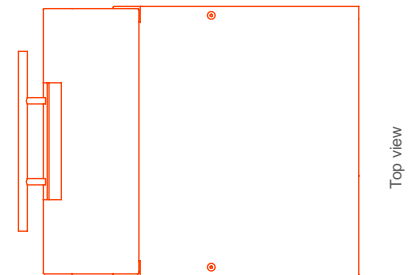
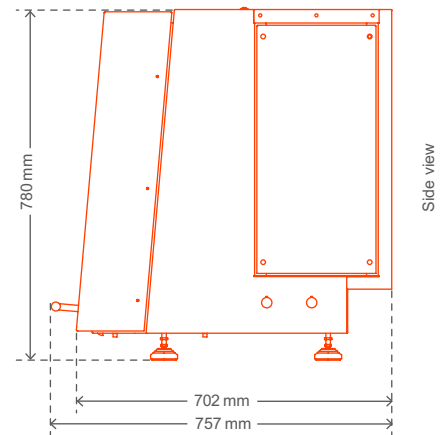
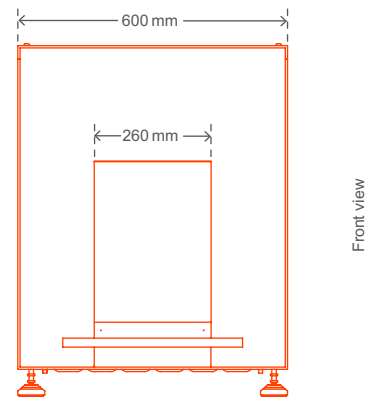


## FOBA M1000

### Technical Data

Model	Table-top laser workstation with programmable Z-axis
<b>Available laser systems</b>	
Fiber laser markers	Y.0100-fc, Y.0200-fc, Y.0300-fc, Y.0100, Y.0200, Y.0300
<b>Workstation</b>	
Workspace	450 x 250 mm
Max. load	Up to 25kg
Max. work piece size	450 x 250 x 200 mm (W x D x H)
Lift door	Manual opening, max. doorway 430 mm
User interfaces	→ Laser marking software FOBA MarkUS (on separate, external, optional Win 7 PC or Win XP PC) → Ethernet interface → Operation via a laptop/ all-in-one PC/ remote PC
Axes	Programmable Z-axis → Travel 298 mm → Travel speed up to 20mm/s
Dimensions	600 x 702 x 780 ( 1,210)* mm (W x D x H)
Footprint	0.45 m <sup>2</sup>
Weight	→ Housing** approx. 55 kg → Marking unit (laser) approx. 5 kg → Supply unit approx. 20 kg
Safety class	Laser class 1 (according to DIN EN 60825-1)
IP rating	→ Housing IP43 → Supply unit IP21
<b>Supply</b>	
Electrical requirements	L/N/PE100 – 240 VAC, 50/60 Hz
Power consumption	Depends on integrated laser system, fiber lasers listed above: 400 VA
Temperature	5 – 35 °C
Humidity	10 – 90 %, non-condensing
<b>Scope of delivery</b>	
	→ Laser workstation M1000 with integrated Z-axis → Configurable laser system → Laser marking software MarkUS
<b>Options and accessories</b>	
	→ Exhaust systems → Rotation axis

\* Height with door completely open \*\* Without laser and external components



ALLTEC GmbH  
 Altenaer Straße 170a  
 58513 Lüdenscheid | Germany  
 T +49 2351 996-0  
 F +49 2351 996-234  
 info@fobalaser.com | www.fobalaser.com

© 2013 ALLTEC GmbH – All rights reserved.  
 Specifications subject to change without notice. M1000\_EN\_073

**SIGNEA**  
 SYSTEME

+27 11 965 0823  
 signea@mweb.co.za  
 www.signea.co.za

