

# FOBA M2000-R

## Technical Data

# FOBA®

Laser at your service

**Model** Laser marking workstation with 2-station turntable and programmable Z axis

**Available Laser Systems (Extract)**

**Fiber laser markers** Y.0100-fc, Y.0200-fc, Y.0300-fc, Y.0301-f, Y.0500-fc  
 Y.0100, Y.0200, Y.0300, Y.0301, Y.0500

**UV marking laser** V.0020-uv

**Machine**

**Features** Motorized rotary table (ø 630mm, 2 stations), turning bulkhead wall

**User interfaces** Laser marking software FOBA MarkUS™

**Axes** Programmable Z axis  
 → Travel 500 mm  
 → Travel speed 15mm/s

**Dimensions** 850 x 1,330 x (1,800 – 2,100)\* mm (W x D x H)

**Footprint** 1.13 m<sup>2</sup>

**Working chamber** 0.136m<sup>3</sup>

**Weight** Approx. 700 kg\*\*

**Safety class** → Laser class 1 (according to DIN EN 860 25-1)  
 → Supply room IP4x

**Max. load** 2x 8 kg

**Max. work piece size** H=200 mm,  
 W x D according to ½ of ø=630 mm

**Supply**

→ Depends on workspace and utilized laser system

**Electrical requirements** 1/N/PE, AC 110/230 V, 50/60 Hz

**Power consumption** Depends on utilized laser system, < 2kW

**Temperature** 15–35°C (dependig on laser system also up to 40°C)

**Humidity** 10–90 %, non-condensing

**Options and Accessories**

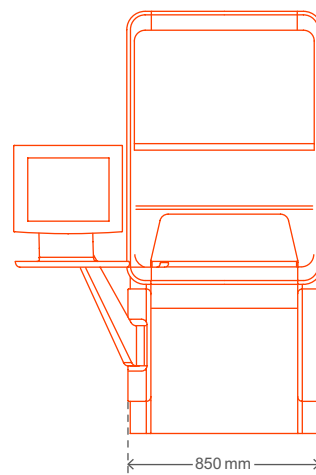
- Exhaust systems
- Vision systems
- Other axes on request
- Rotation axis
- Rotation/swiveling unit
- Interfaces for the integration of client processes

**Available Workstations**

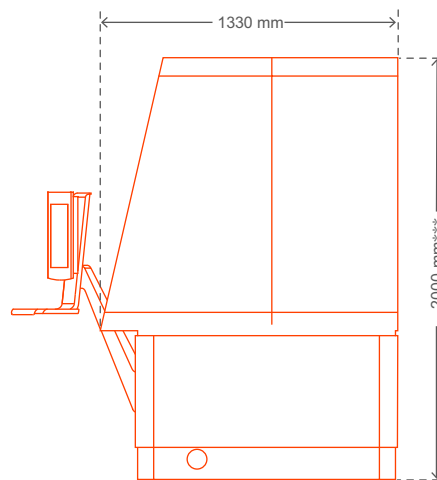
Two housing sizes for processing smaller (M2000) and larger (M3000) parts

Three workstation models

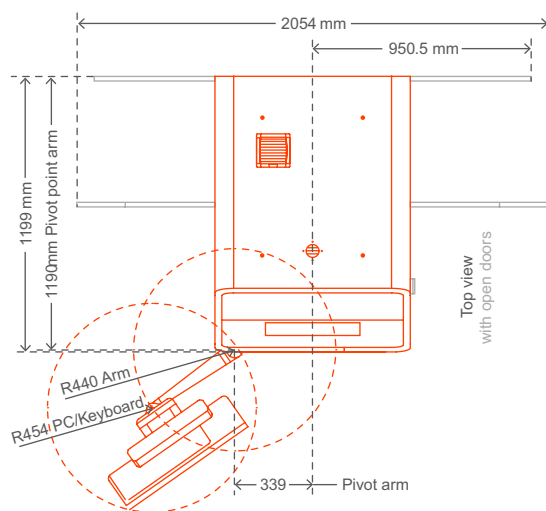
- with work table (M2000-B , M3000-B)
- with 2-station turntable (M2000-R , M3000-R)
- with three axes (X/Y/Z) (M2000-P , M3000-P)



Front view



Side view



Top view with open doors

\* Height adjustment range \*\* Without laser and external components \*\*\* Height adjustable from 1,800,100 mm

ALLTEC GmbH  
 Altenaer Straße 170a  
 58513 Lüdenscheld | Germany  
 T +49 2351 996-0  
 F +49 2351 996-234  
 info@fobalaser.com | www.fobalaser.com

**SIGNEA**  
 SYSTEME

+27 11 965 0823  
 signea@mweb.co.za  
 www.signea.co.za

