

## Vario Laser marking machine

### Working area

with fixed worktable Vario-S	pneumatic lifting door d = 600 mm
with rotating table Vario-R Vario-RD	pneumatic lifting door turning bulkhead wall
Special types	

### Basic module

Laser system	C30A, C30C, DP10GS, DP50 or LP100
Laser characteristics	see Data sheet for basic system
Machine body	Welded construction/aluminium profiles
Components	Z-axis (with step motor) for height adjustment of the laser head 1 axis step motor control Control cabinet cooling Operating and display units

### Installation

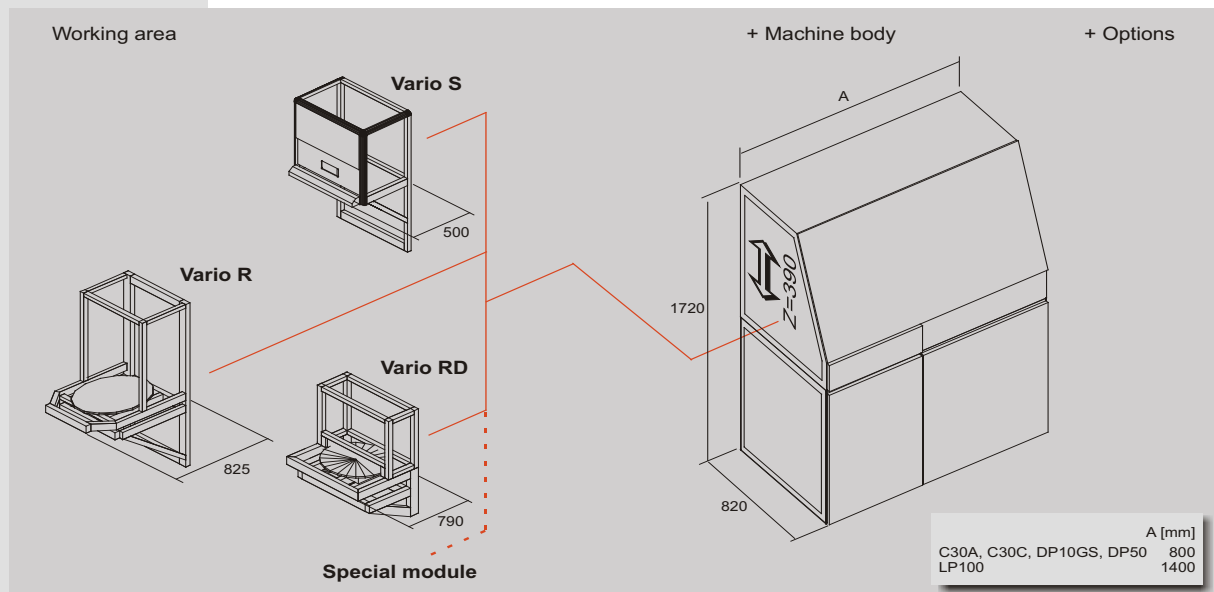
The way the unit is set up depends on the design of the working area and the integrated laser system

### Software

Control system	modular CompactPCI-PC
Operating system	MS Windows XP
Laser control	FOBAGRAF with import function of plt, dwg, dxf, ai, jpg, tif, pcx, bmp ...
Interfaces	serial, digital I/O, Ethernet, USB
Machine control	

### Options

Side loading	Modification of working area
TFT monitor/keyboard	separate
Rotating table	d = 680 mm / 800 mm / 980 mm
	Station detection for 30 kg load
Bulk head wall	300 mm high
Interchangeable lenses	
Pointer	
Suction filter	



**FOBA**<sup>®</sup>  
Laser Marking + Engraving

FOBA  
Technology + Services GmbH  
Altener Straße 170  
58513 Lüdenscheid  
GERMANY  
Tel. +49 2351 996-0  
Fax +49 2351 996-234

sales@foba.de  
www.foba.de

**SIGNEA**  
SYSTEME

+27 11 965 0823  
signea@mweb.co.za  
www.signea.co.za

