

# ALLTEC LF100/LF200

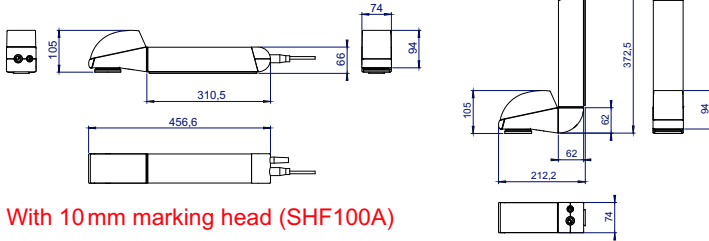
## Fiber Laser Marking Systems

### Dimensions

#### Marking Units

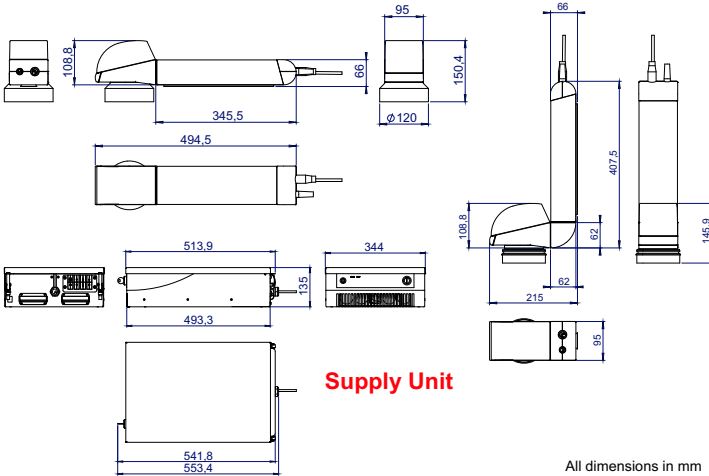
With 6 mm marking head (SHF60A)

below: standard, 90° beam exit; right: with BTU, straight-out beam exit



With 10 mm marking head (SHF100A)

below: standard, 90° beam exit; right: with BTU, straight-out beam exit

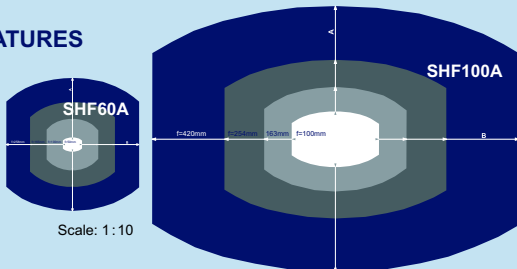


Supply Unit

All dimensions in mm

#### MARKING FEATURES

##### Marking Fields



	6 mm marking head SHF60A				10 mm marking head SHF100A			
f = ... mm	50	100	165	258	100	163	254	420
max. A/mm	19.5	70.2	115.4	180.5	75.8	142.2	215.5	361.5
max. B/mm	26	70.2	115.4	180.5	118.7	193.5	301.5	498.5

##### Marking Formats

- Standard fonts (Windows® TrueType®/ TTF; PostScript®/ PFA, PFB; Open Type®/ OTF) and individual fonts, such as high-speed or OCR
- Machine-readable codes: *ID-MATRIX* (ECC100, 140, 200: 10x10 to 144x144 for square formats, 8x18 to 16x48 for non-square formats; ECC plain [free config. ECC code]; QR-Code); *BAR CODES* (BC25/ 25i/ 39/ 39E/ 93/ 128; EAN13/ 128; UPC\_A; RSS14TR/ ST/ STC; RSS LIM/ EXP)
- Graphics/ graphic components, logos, symbols, etc. (DXF, JPG, AI, etc.)
- Linear, circular, angular text marking; rotation, reflection, expansion, compression of marking contents
- Sequence & serial numbering; automatic date, layer, time coding, real-time clock; online coding of individual data (weight, contents, etc.)

### Specifications

#### LASER

##### Laser Source

- Ytterbium (Yb) pulsed fiber laser
- Power classes 10 and 20 W
- Central emission wavelength: 1,060 - 1,070 nm (1.06 - 1.07 μm)

##### Laser Beam Deflection

- Digital high-speed galvanometer scanner

##### Laser Beam Orientation

- 90-degree (standard) and straight-out (option)

##### Focusing (precision optics):

- focal lengths 6 mm marking head: f = 50/ 100/ 165/ 258 mm
- focal lengths 10 mm marking head: f = 100/ 163/ 254/ 420 mm

#### USER INTERFACES

- Integrated keypad
- Handheld control unit (configurable in 16 languages), option
- Smart Graph software on PC (configurable in 20 languages), option
- Software interface

#### SOFTWARE

##### Smart Graph

- Graphics-orientated user interface under Windows® XP/Vista for the intuitive and fast preparation of complete marking jobs on PCs
- System configuration
- Text/ data/ graphics/ parameter editor
- Configurable in 20 languages, e.g. in German, English, Japanese
- Easy access to standard CAD and graphics programs thanks to import functions for the most important file formats (DXF/JPG, AI, etc.)
- WYSIWYG
- Various password-protected security levels

##### SmartGraph Com

- ActiveX software interface for integration into operation software

#### Communication

- Ethernet (TCP/IP, 100Mbit LAN), RS232, digital I/Os
- Inputs for encoders and product detector triggers
- I/Os for start, stop, external error, job select, trigger, trigger enable, encoder; system ready, ready to mark, marking, shutter closed, error, bad, good signals and machine/ operator interlocks
- Customer-specific solutions

#### INTEGRATION

- Direct integration into complex production lines by means of the laser's scripting interface
- Integration via Ethernet and RS232 interface
- Highly precise side guided height adjustment via dovetail joint

#### SUPPLY

##### Electrical Requirements

- 100 - 240 V (autorange), 250 VA, 1 PH, 50/ 60 Hz

##### Environmental Protection

- IP54S, air cooled

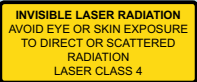
##### Temperature/ Humidity Range

- 5 - 40° C (40 - 105° F) / 10 - 90 %, non-condensing

##### Weight

- Supply unit - 17 kg/ 37 lbs.
- Marking unit 6 mm - 4.4 kg/ 9.7 lbs., marking unit 10 mm - 6 kg/ 13 lbs

according to DIN EN 60825-1:10/2003



CE conform

© 2008 ALLTEC GmbH - All rights reserved. Because ALLTEC GmbH makes constant efforts to improve its products, the company reserves the right to change the design and specifications without giving advance notification. Windows and OpenType are registered trademarks of Microsoft Corporation. TrueType is a registered trademark of Apple Computer, Inc. PostScript is a registered trademark of Adobe Systems Inc. LF100-200\_E 08.08\_1 • Printed in Germany • \* depends on the application

#### ALLTEC GmbH

An der Trave 27 - 31 | 23923 Selmsdorf | Germany  
Phone 00 49. (0)388 23.55-0 | Fax 00 49. (0)388 23.55 -222  
Email contact@alltec.org | www.alltec.org



make your mark



+27 11 965 0823  
signea@mweb.co.za  
www.signea.co.za