

Technical Details

HSAJET® MINITOUCH MTHP4

Technology

HP TIJ 2.5

Printhead frequency

15 KHz

Print height

50.8 mm / 2"
1, 2, 3 or 4 pen printheads

Print head distance

0.5 - 2.0 mm
(nozzle to print surface)

Voltage

100-240 VAC

Memory

2 Gb

Screen

1/4" VGA Touch Screen
320 x 240 pixel colour

Design software

MiniDraw (PC) or on controller

Software menu language

English (multiple languages)

Print features

Left/Right
Upside-down
Other side
Bidirectional

Layout features

Max. length 65000 px
(~277 cm in 600 DPI)
Object rotation (fixed)
Link field content
Works with mm/inch/point/pixel

Interface

USB
RS232
100 Mbit Ethernet
Encoder Input 5-24V (SUB-D9)
Product Sensor 5-24V (SUB-D9)

Signals

Low ink signal
Print signal
Print message signal

Complies to

CE directives

Resolution (DPI) (horizontal x vertical)	Max. speed	
	m / min	feet / min
600 x 600	38	125
300 x 300	76	250
600 x 300 1 row	38	125
300 x 300 1 row	152	500
300 x 300	152	500
300 x 150	306	1000

Housing

Black anodised aluminium

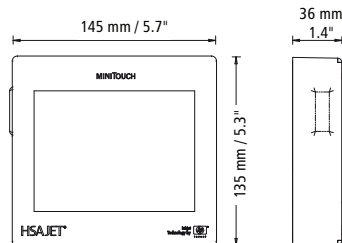
Weight

MTHP4: 0.8 kg
Power Supply: 1.5 kg

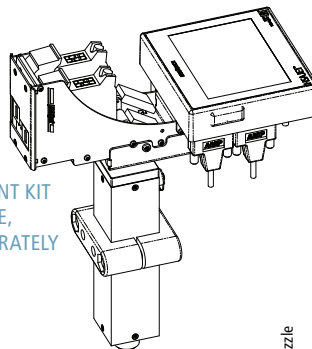
Accessories

- Telescope Mountkit for compact mount of 1 or 2 pen side/low and MiniTouch
- Telescope Mountkit for 1, 2, 3 or 4 pen side/low printhead
- Sensor and encoder
- Bridges & Brackets
- Mountings (Inocon 53 mm)
- Printheads (see other flyer)
- Distributor box

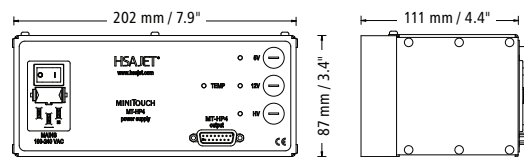
MTHP4



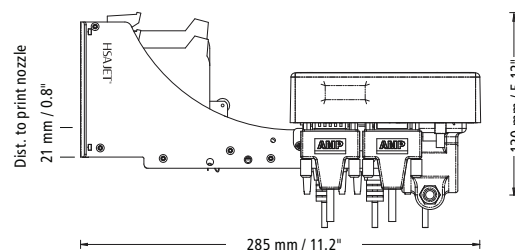
TELESCOPE MOUNT KIT
IS AVAILABLE,
FOR ORDER, SEPARATELY



POWER SUPPLY



MT-HP4 COMPACT UNIT WITH
2-PEN PRINthead (1")



DEALER:

SIGNEA
SYSTEME

+27 11 965 0823
signea@mweb.co.za
www.signea.co.za



HSA SYSTEMS
A UNIQUE IMPRINT

HSA Systems Denmark

DK-2740 SKOVUNDE | +45 4494 0222 || DK-5260 ODENSE S | +45 6610 3401

HSA Systems France

F-93160 NOISY-LE-GRAND | +33 1 4815 5050

www.hsasystems.com | mail@hsasystems.com